

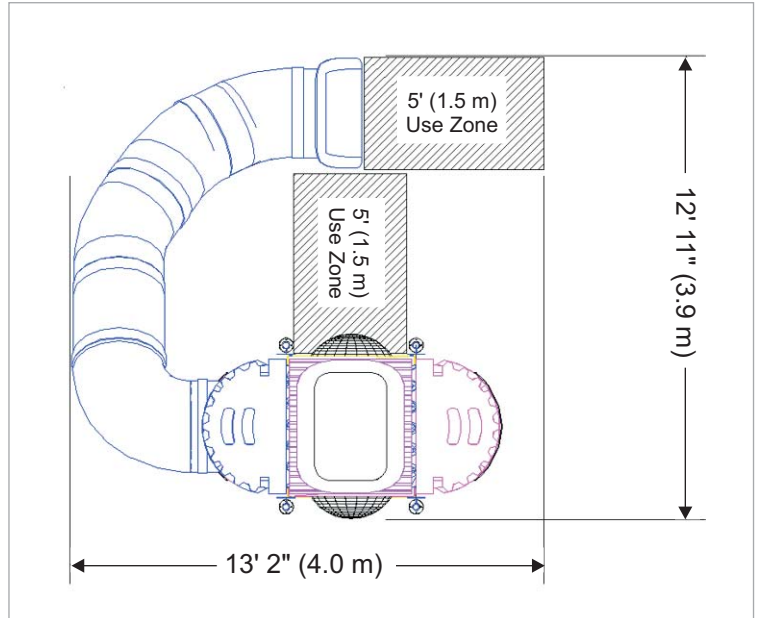
2007-106

Play Feature List

- 3 Level Vertical Combo Climbing Tower
- Curved Tube Slide
- 2 Activity Game Panels
- 1 Entrance, 1 Exit



Plan View



Footprint: 13' 2" x 12' 11" (4.0 m x 3.9 m)

Play Capacity: 14

Height: 12' 6" (3.8 m)



800-269-6533 — www.spiplastics.com

Copyright © 2007
All rights reserved. Printed in Canada