

Adventure Table

Thank you for purchasing the Adventure Table. The Adventure Table is a durable, heavy duty, one piece, polyethylene component. This table allows children to have an adventure anywhere! Available in all colours.

Supplied Parts:

Adventure Table, 4 - "L" Brackets, 1 - Net, 6 - #12 x 1" Self Tapping Screws and Washers

Additional Parts Required:

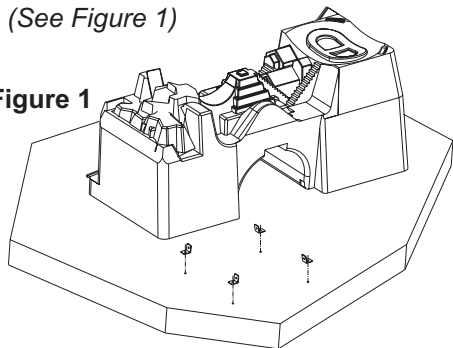
4 each of 1/4" Button Head Bolts and 1/4" Flat Washers, 4 Hollow Anchors

Installation Steps:

Step 1

Place the *Adventure Table* in position and mark the location for the "L" Brackets. Drill holes sized appropriately for the selected anchors.
(See Figure 1)

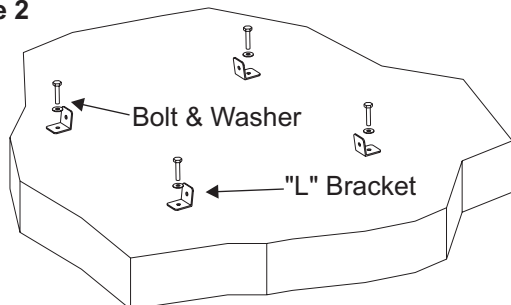
Figure 1



Step 2

Using appropriate *Bolts and Washers*, secure the "L" Brackets to the floor.
(See Figure 2)

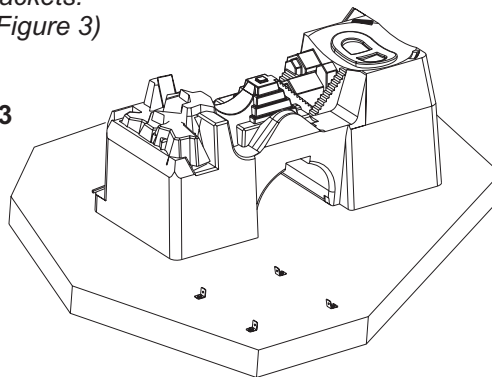
Figure 2



Step 3

Lift the *Adventure Table* into position on the "L" Brackets.
(See Figure 3)

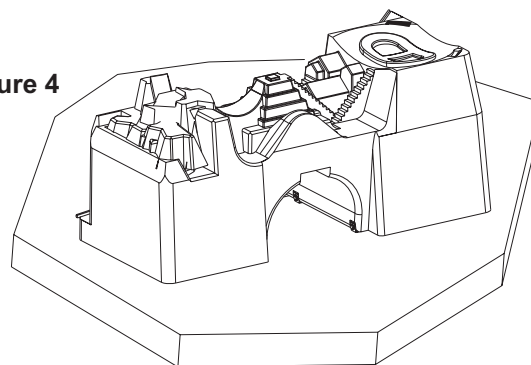
Figure 3



Step 4

Installed Adventure Table
(See Figure 4)

Figure 4



Installing the Toy Pouch:

Using the supplied 1" Self Tapping Screws and Washers, install the *Toy Pouch* as shown in **Figure 5**.

Figure 5

