

# Bedrock Climbing Wall (Indoor)

**Parts Required:** Refer to Suggested Parts List on last page. Hardware & Pipe may be provided by the installer or is available from SPI Industries.

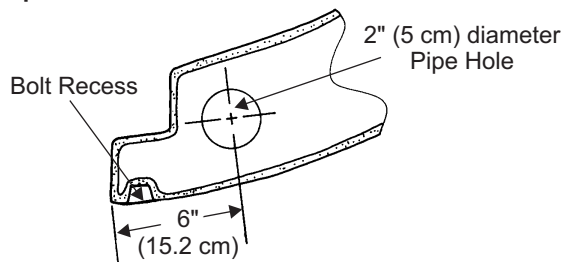
## Step 1 —

Align the *Wall Panels* on the ground in the desired layout. Ensure that all *Bolt Recesses* are facing the proper direction.

Fit *Wall Panels* together and drill holes through the *Bolt Recesses*.

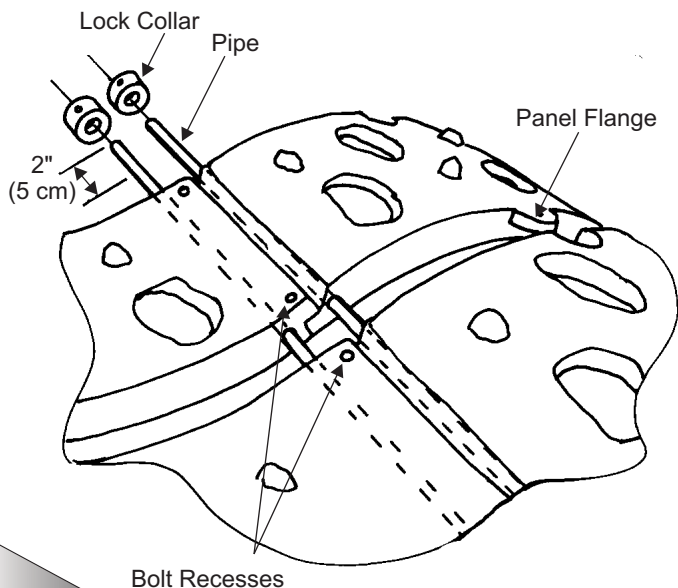
Drill 2" (5 cm) *Pipe Holes* 6" (15.2 cm) from each end through the top and bottom of each *Panel*.

### Top View of Wall Panel



## Step 2 —

Slide the pipe through the *Pipe Holes* (two pipes/panel). Leave an excess of approximately 2" (5 cm) of pipe at the top for *Lock Collars*.

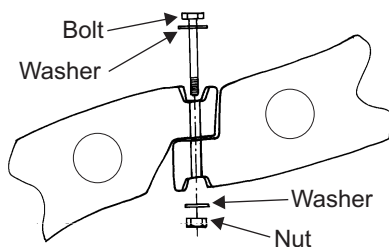


## Step 2 — Continued

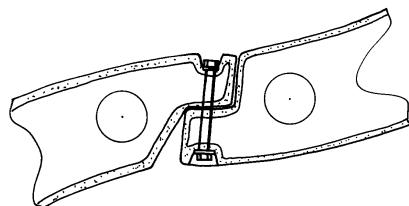
Position *Wall Panel* sections and joints as tight together as possible ensuring there are no gaps.

Bolt the *Panels* together using 5" long by 3/8" bolts with a washer under each bolt head and nut.

### Top View of Wall Panels



### Top View of Joined Wall Panels



Slide *Lock Collars* over both the top and bottom ends of the pipe and lock against the *Wall Panels*.

**Note:** The *Wall Panels* are shown on their side for assembly purposes.

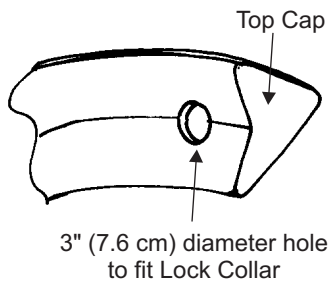


# Bedrock Climbing Wall (Indoor)

## Step 3 —

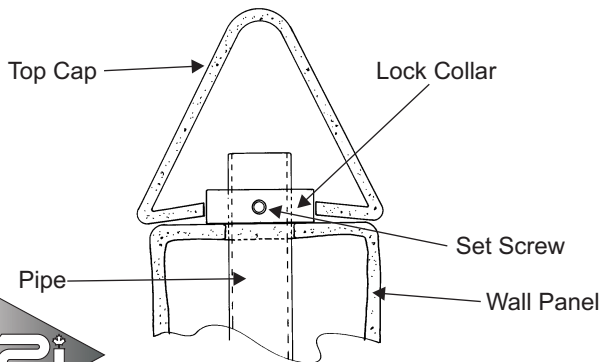
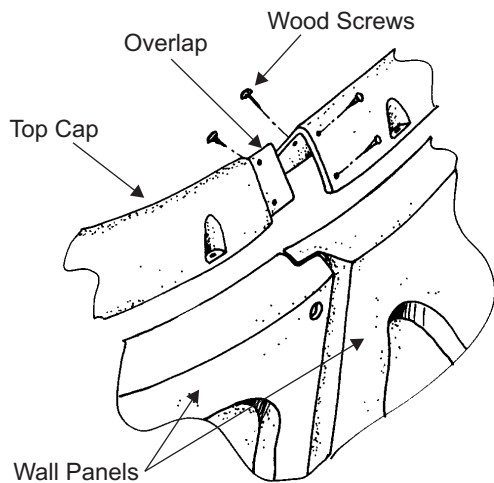
Position the *Top Caps* over the *Wall Panels* and mark the locations for the Lock Collar holes.

Use a 3" (7.6 cm) diameter hole saw to drill holes through bottom of *Top Caps*.



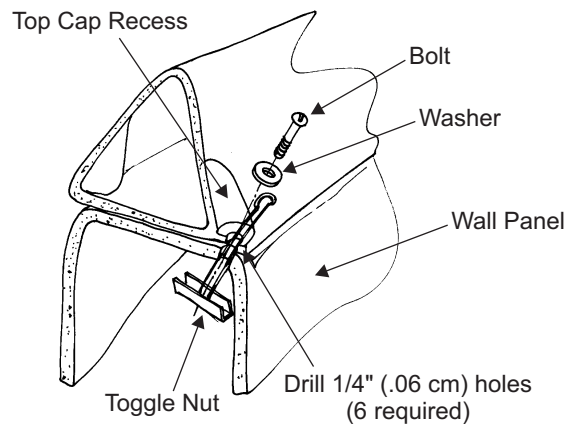
## Step 4 —

Re-position *Top Caps* over *Lock Collars*. Cut out the end of joining *Top Caps* for overlapping. Do not screw tight at this point.



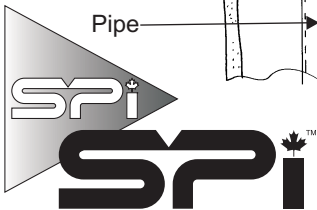
## Step 5 —

Drill a 1/4" (0.6 cm) diameter hole through *Top Cap Recesses* and *Wall Panels*. Using 1/4" *Toggle Nuts* and *Bolts*, secure *Top Caps* to *Wall Panels*.



Fasten *Top Cap* Overlaps using *Wood Screws*, as previously shown in **Step 4**.

Installation Instructions

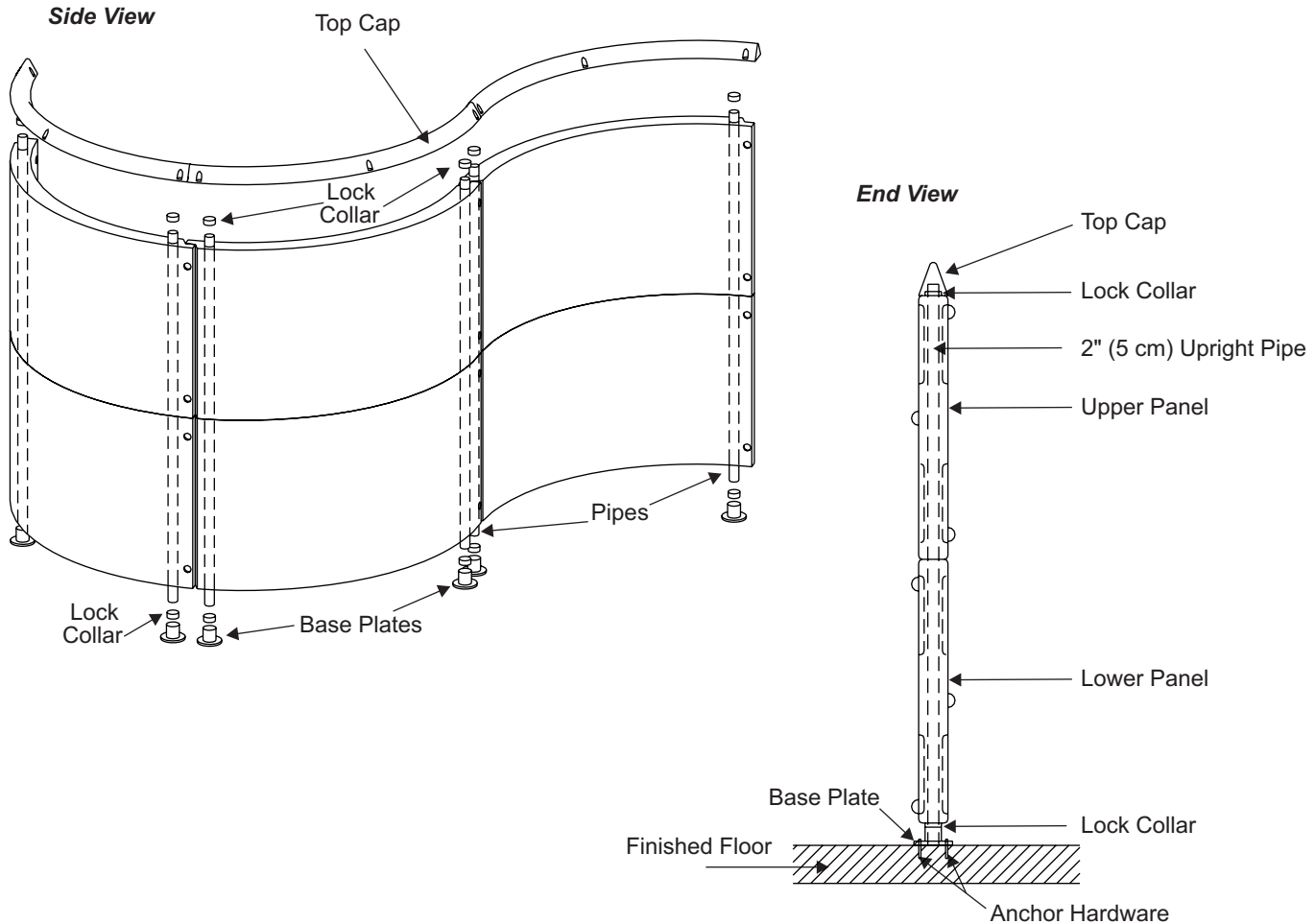


# Bedrock Climbing Wall (Indoor)

## Step 6 —

Tighten all fasteners.

Raise Bedrock Climbing Wall onto finished floor and fasten base plates with anchor hardware.



**Note:** The base of the structure must have a recommended minimum 4" (10.2 cm) thick foam/vinyl pad. This base should extend 6' (1.8 m) past the structure in all directions. This will create a safety area to ensure the safe use of the Bedrock Climbing Wall. The Bedrock Climbing Wall complies with Canadian CSA Standards (CAN/CSA-Z614-98) as well as American ASTM Standards (ASTM-F-1292).



SPI Industries Inc., Shallow Lake, Ontario N0H 2K0

Created: March 8, 2000

Tel: (519)935-2211 or (800)269-6533 Fax: (519)935-2174  
Email: [spi@spioplastics.com](mailto:spi@spioplastics.com) Internet: [www.spioplastics.com](http://www.spioplastics.com)

Installation Instructions